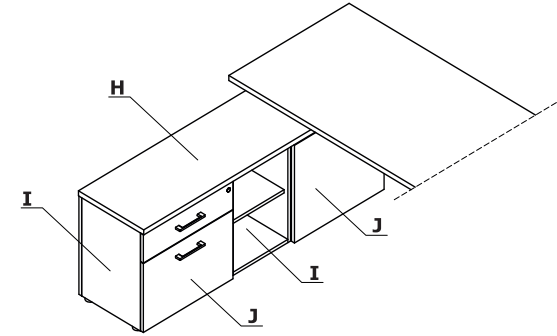
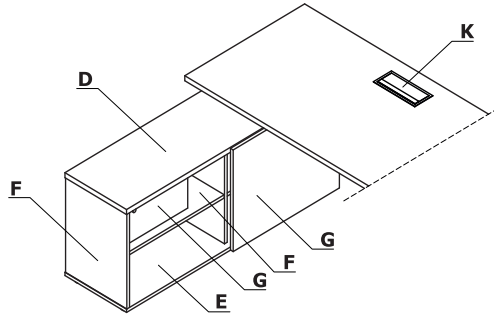
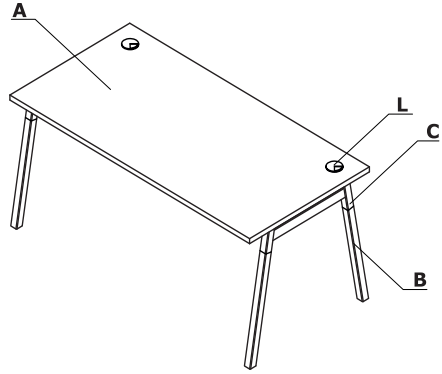


Colour combination - Ogi W



Material	Colour	Desks			Managerial storage - A14M				Managerial storages - A12M			Additional elements				
		A - Top	B - Base	C - Frame	D - Top	E - Base	F - Body	G - Front	H - Top	I - Body, base	J - Front	K - Mediabox M15, M14, M14H	L - Grommet			
MFC	08 - black	✓			✓	✓	✓	✓	✓	✓	✓					
	26 - aluminum satinato	✓			✓	✓	✓	✓	✓	✓	✓					
	31 - canadian oak	✓			✓	✓	II group	✓	✓	✓	II group					
	39 - polar birch	✓			✓	✓	II group	✓	✓	✓	II group					
	64 - cocoa	✓			✓	✓	II group	✓	✓	✓	II group					
	67 - white pastel	✓			✓	✓	✓	✓	✓	✓	✓					
	106 - lowland walnut	✓			✓	✓	II group	✓	✓	✓	II group					
	154 - anthracite	✓			✓	✓	✓	✓	✓	✓	✓					
	167 - grey oak	✓			✓	✓	II group	✓	✓	✓	II group					
	168 - natural oak	✓			✓	✓	II group	✓	✓	✓	II group					
	169 - honey oak	✓			✓	✓	II group	✓	✓	✓	II group					
	170 - acacia	✓			✓	✓	II group	✓	✓	✓	II group					
	171 - dark walnut	✓			✓	✓	II group	✓	✓	✓	II group					
	174 - beige matte	✓			✓	✓	II group	✓	✓	✓	II group					
	02 - grey	✓			✓	✓	II group	✓	✓	✓	II group					

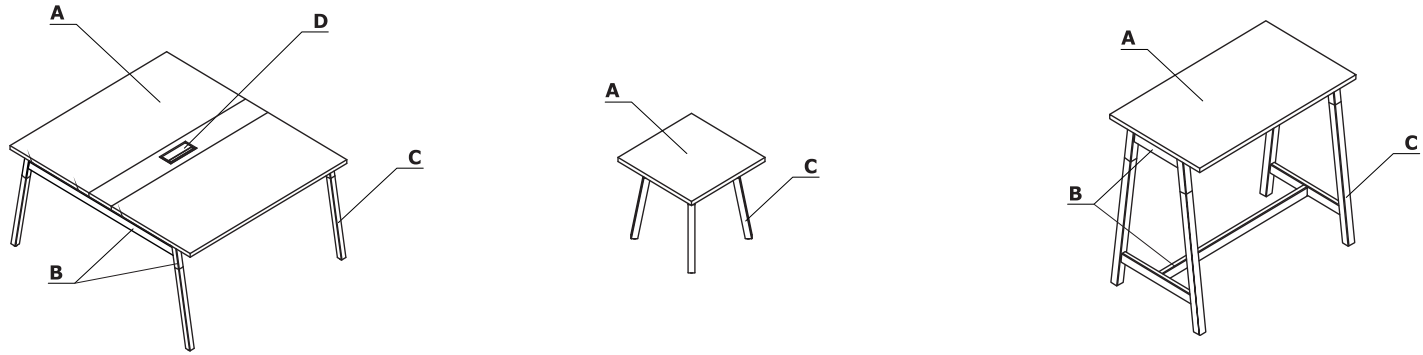
* ATTENTION - Ogi W - OPTION WITH EXTRA CHARGE - worktop edge, colour: ash natural

Material	Colour	Desks			Managerial storage - A14M				Managerial storages - A12M			Additional elements			
		A - Top	B - Base	C - Frame	D - Top	E - Base	F - Body	G - Front	H - Top	I - Body, base	J - Front	K - Mediabox M15, M14, M14H	L - Grommet		
	Natural ash		✓**												
Polypropylene	02 - grey											✓	✓		
	08 - black											✓	✓		
	24 - beige											✓	✓		
	67 - white pastel											✓	✓		
	154 - anthracite											✓			
Metal	M009 - aluminium semi-matt RAL 9006			✓											
	M015 - white semi-matt RAL 9010			✓											
	M154 - anthracite semi-matt RAL 7043			✓											
	M115 - black semi-matt RAL 9005			✓											
	M026 - olive semi-matte RAL 6013			✓*											
	M027 - blue semi-matte RAL5003			✓*											
	M028 - brick red semi-matte RAL 0404040			✓*											
	M029 - yellow semi-matte RAL 0807060			✓*											
	M030 - beige semi-matte RAL 0608005			✓*											

* additional charge option

** the colour of desk legs may differ depending on natural wood ring pattern.

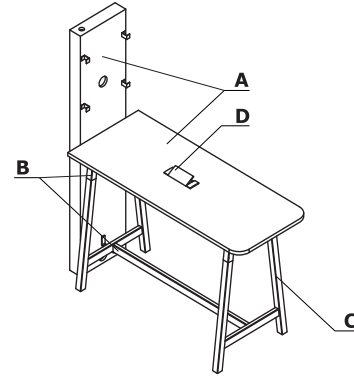
Colour combination - Ogi W



Material	Colour	Meeting tables															
		A - Top	B - Frame	C - Leg	D - Mediabox M15, M14, M14H												
MFC	08 - black	✓*															
	26 - aluminum satinato	✓*															
	31 - canadian oak	✓															
	39 - polar birch	✓															
	64 - cocoa	✓															
	67 - white pastel	✓*															
	106 - lowland walnut	✓															
	154 - anthracite	✓*															
	167 - grey oak	✓															
	168 - natural oak	✓															
	169 - honey oak	✓															
	170 - acacia	✓															
	171 - dark walnut	✓															
	174 - beige matte	✓															
	02 - grey	✓															
	Natural ash			✓													

* ATTENTION - OPTION WITH EXTRA CHARGE - worktop edge, colour: ash natural

Colour combination - Multimedia stand - MSW01



Material	Colour	Multimedia stand MSW01			Accessories										
		A - Top	B - Frame	C - Leg	D - Mediabox M15, M14, M14H										
MFC	08 - black	✓													
	26 - aluminum satinato	✓													
	31 - canadian oak	✓													
	39 - polar birch	✓													
	64 - cocoa	✓													
	67 - white pastel	✓													
	154 - anthracite	✓													
	167 - grey oak	✓													
	168 - natural oak	✓													
	169 - honey oak	✓													
	170 - acacia	✓													
	171 - dark walnut	✓													
	174 - beige matte	✓													
	02 - grey	✓													
	Natural ash			✓											
Metal	M009 - aluminium semi-matt RAL 9006		✓												
	M015 - white semi-matt RAL 9010		✓												
	M115 - black semi-matt RAL 9005		✓												
	M154 - anthracite semi-matt RAL 7043		✓												

* ATTENTION - MSW01 - OPTION WITH EXTRA CHARGE - worktop edge, colour: ash natural

